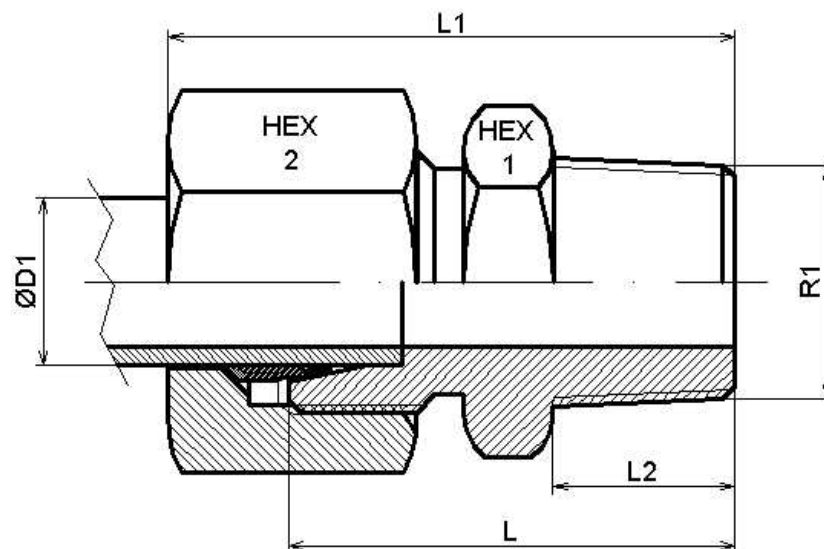


Racores DIN 2353

Uniones rectas tubo-rosca

Racor recto rosca cónica BSPT**FLUIDAL**

Acero Inoxidable AISI 316-L

1/2

Artículo	ØD1	Serie	R1	Presión de trabajo (bar)	L1	L2	HEX 1	HEX 2
Z AKLL 6 R 1/8	6	LL	1/8" BSPT	100	26	8	11	12
Z AKLL 8 R 1/8	8	LL	1/8" BSPT	100	28	8	12	14
Z AKL 6 R 1/8	6	L	1/8" BSPT	315	32	10	12	14
Z AKL 6 R 1/4	6	L	1/4" BSPT	315	36	13	17	14
Z AKL 8 R 1/8	8	L	1/8" BSPT	315	31	8	14	17
Z AKL 8 R 1/4	8	L	1/4" BSPT	315	36	13	17	17
Z AKL 8 R 3/8	8	L	3/8" BSPT	315	34,5		19	17
Z AKL 10 R 1/4	10	L	1/4" BSPT	315	37	13	17	19
Z AKL 10 R 3/8	10	L	3/8" BSPT	315	38	13	19	19
Z AKL 10 R 1/2	10	L	1/2" BSPT	315	38,5		22	19
Z AKL 12 R 1/4	12	L	1/4" BSPT	315	38	13	19	22
Z AKL 12 R 3/8	12	L	3/8" BSPT	315	38	13	19	22
Z AKL 12 R 1/2	12	L	1/2" BSPT	315	41	16	24	22
Z AKL 15 R 3/8	15	L	3/8" BSPT	315	39	13	24	27
Z AKL 15 R 1/2	15	L	1/2" BSPT	315	42	16	24	27
Z AKL 18 R 1/2	18	L	1/2" BSPT	315	44	16	27	32
Z AKL 22 R 3/4	22	L	3/4" BSPT	160	48	18	32	36
Z AKL 28 R 1	28	L	1" BSPT	160	49		41	41
Z AKL 35 R 1 1/4	35	L	1"1/4 BSPT	160	51		41	50
Z AKL 42 R 1 1/4	42	L	1"1/4 BSPT	160	61	22	55	60
Z AKS 6 R 1/4	6	S	1/4" BSPT	630	41	13	17	17
Z AKS 8 R 1/4	8	S	1/4" BSPT	630	41	13	17	19
Z AKS 10 R 3/8	10	S	3/8" BSPT	630	42	13	19	22
Z AKS 14 R 1/2	14	S	1/2" BSPT	630				
Z AKS 16 R 1/2	16	S	1/2" BSPT	400	50	16	27	30
Z AKS 20 R 3/4	20	S	3/4" BSPT	400	57	18	32	36
Z AKS 25 R 1	25	S	1" BSPT	400				

Racores DIN 2353

Uniones rectas tubo-rosca

Racor recto rosca cónica BSPT



Acero Inoxidable AISI 316-L

2/2

Artículo	ØD1	Serie	R1	Presión de trabajo (bar)	L1	L2	HEX 1	HEX 2
Z AKS 30 R 1 1/4	30	S	1"1/4 BSPT	250				